

**SuperSprings**  
INTERNATIONAL

IMPROVE HANDLING. INCREASE LOAD SUPPORT.  
**WORK TRUCK BETTER.**



ZERO-MAINTENANCE. LIFETIME WARRANTY.

 **JOURNEY BETTER™**

# SuperSprings

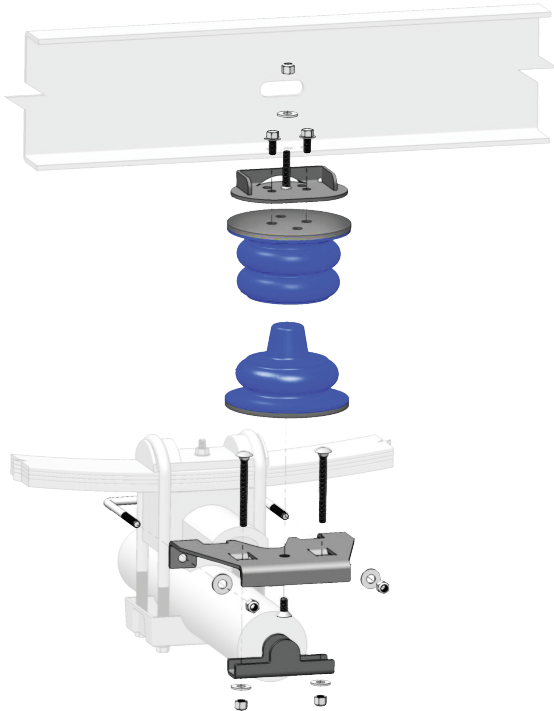
INTERNATIONAL



## SumoSprings

Manufactured from micro-cellular polyurethane, this airless suspension is designed and built to reduce sag, body roll, sway, and vibration on your vehicle.

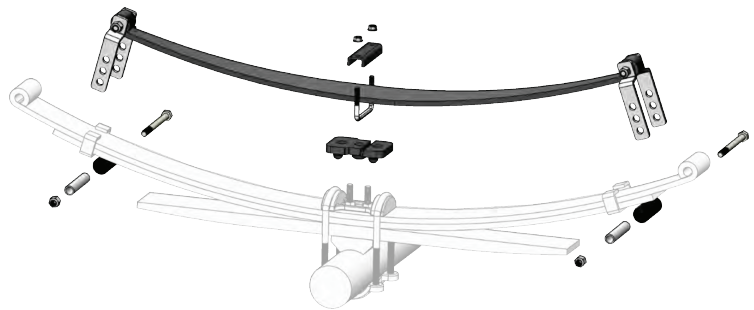
With no air-lines or compressors, this is the airbag alternative, created for leveling loads, softening stops, and increasing control.



## SuperSprings

Our name-sake product, our patented self-adjusting helper spring is the add-a-leaf alternative that levels heavy loads.

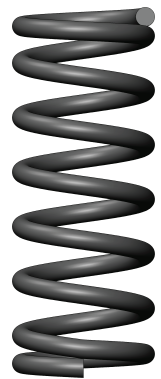
Built from all-American high-grade shot-peened steel, this bolt-on solution provides load support and reduces body roll on vehicles that are constantly loaded.



## SuperCoils®

SuperCoils are heavy duty replacement coil springs, designed to remedy sagging and overworked factory suspension coil springs.

SuperCoils have a linear/constant spring rate consistent with other coil springs. Different from SuperSprings or SumoSprings that work in conjunction with and enhance original equipment, SuperCoils actually replace factory equipment.



FOR A COMPLETE LIST OF APPLICATIONS VISIT [SUPERSPRINGSINTERNATIONAL.COM](http://SUPERSPRINGSINTERNATIONAL.COM)

(800) 898-0705

 **JOURNEY BETTER™**

[superspringsinternational.com](http://superspringsinternational.com)